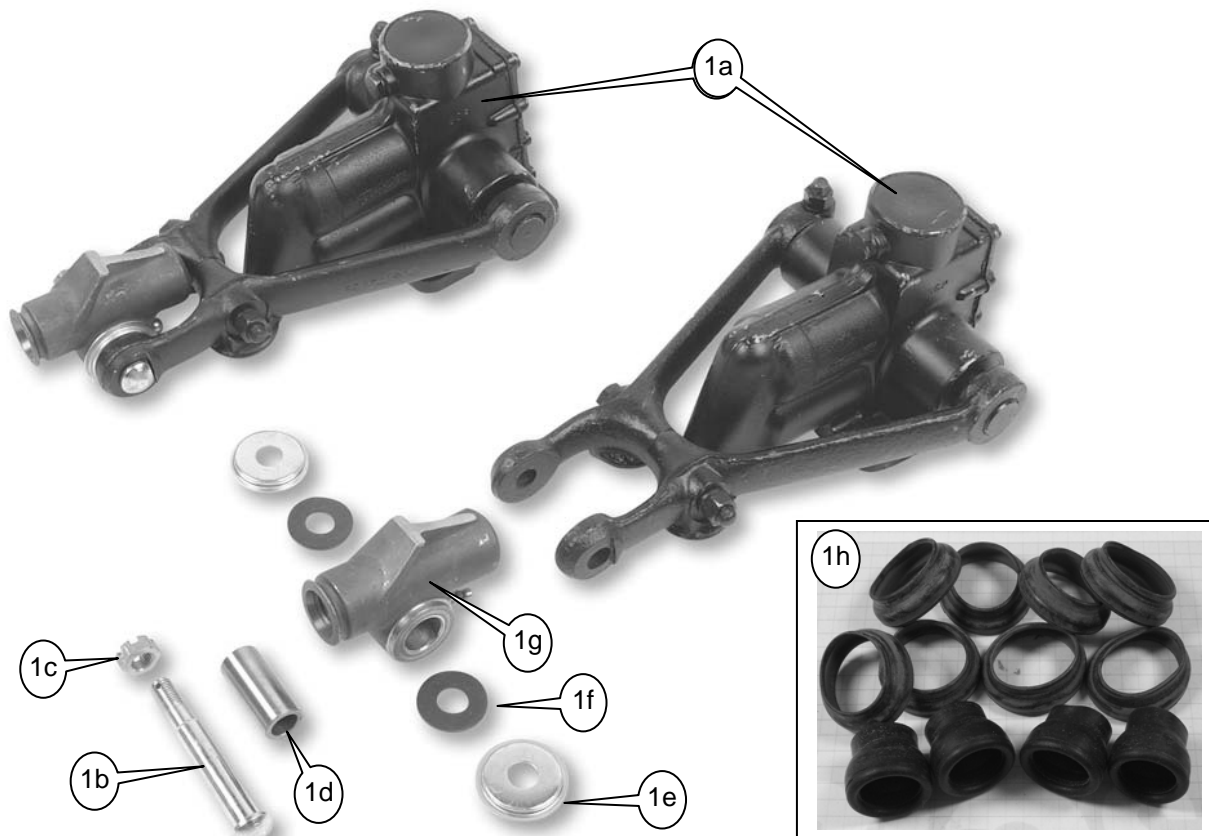


1
2
3
4
5
6
7
8
9
10
11
12
13
14
15
16
17
18
19
20
21
22
23
24
25
26
27
28
29
30
31
32
33
34
35
36

Supplemental Information for 264-398 Front Shock Kit (Replacement) MG TD originally fitted with Armstrong Shocks* MG TF



List of Component Parts

Ref	Moss US	Moss UK	Description	Quantity		
1a	264-360	GSA119	Lever Shock, Front, New	2	Each	
1b	263-440	1G4349	Fulcrum Pin, upper suspension link	2	Each	Hole for cotter pin
1c	310-331	310-331	Nut, slotted, 7/16" UNF (modified)	2	Each	
1d	264-071	264-071	Distance Tube (modified)	2	Each	
1e	264-010	AAA1324	Seal Support, suspension link	4	Each	
1f	324-510	AAA1390	Thrust washer, hardened, 1.25" OD	4	Each	
1g	264-181	264-181	Suspension Link, upper R/H (modified)	1	Each	
1g	264-191	264-191	Suspension Link, upper L/H (modified)	1	Each	Shortened to fit between the MGB shock arms
1h	281-388	ACG4030K	Seal Set (4 pin & 8 link seals)	1	Set	
	325-105	PC10	Cotter Pin	2	Each	For slotted nut
	980-376	980-376	Supplemental Information	1	Each	This Document

37
38 **Not included:** Bolt, securing shock. Re-use your old bolts or order 8 of the 320-590 bolts.

39 * These will not fit an MG TD that was originally fitted with Girling shocks. MG TDs must have the
40 clearance "bump" in the front fender to clear shock body.

