

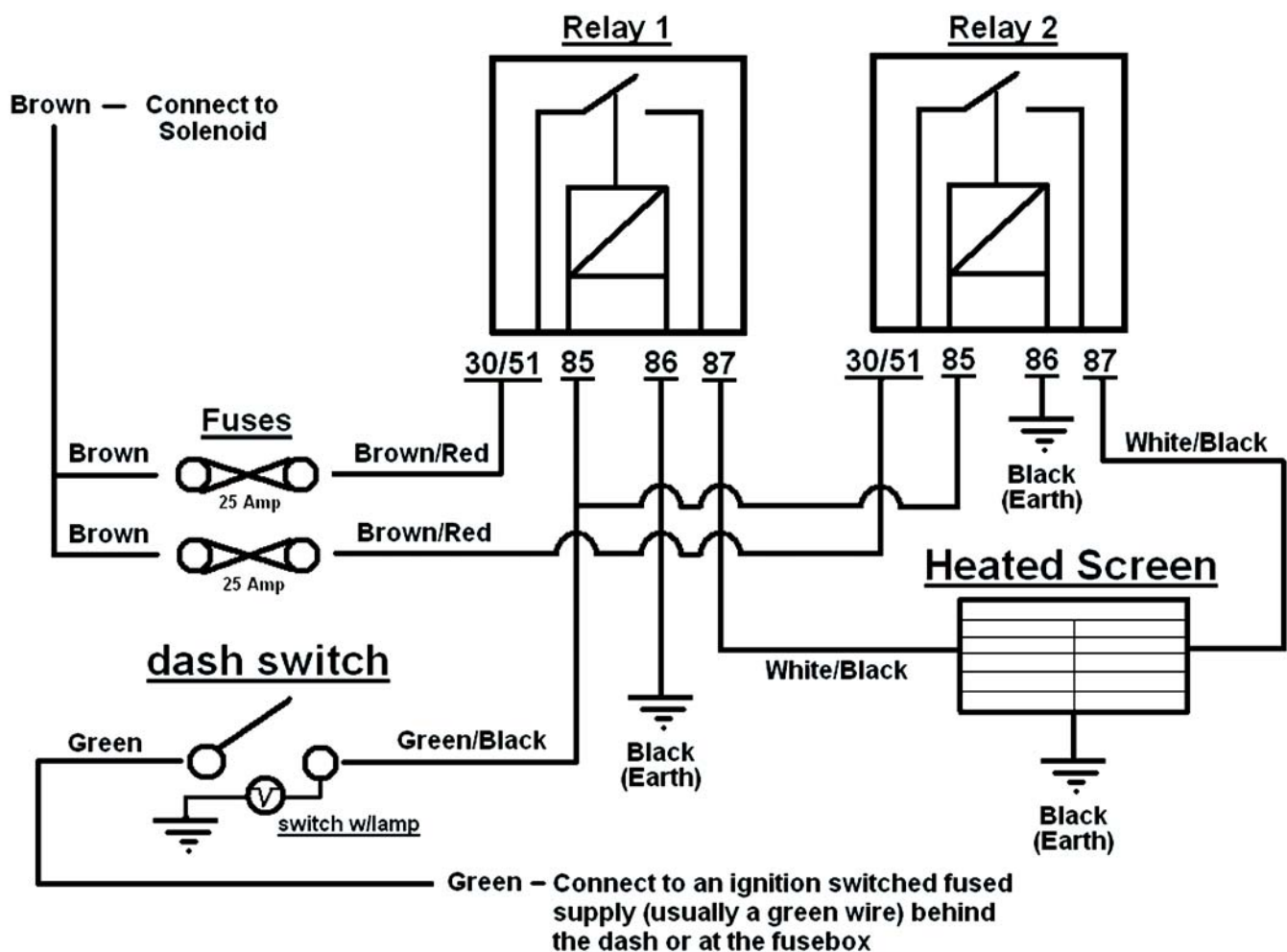
Heated screen wiring kit

Part Number: GAC40251

Description: Dual zone screens

Applications: Universal

Heated Screen Wiring Diagram.



SP 503

