

# SELF SEALING FAN CONTROLLER FITTING INSTRUCTIONS

070002

## Cutting a hole in soft material e.g. Silicone, rubber

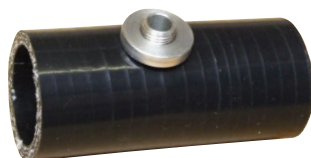
1. Place the sharp end of the cutter in position inside the hose, the hose needs to be taut over the cutting area, if the hose is not taut slide a tightly fitting piece of wood under the cutter.



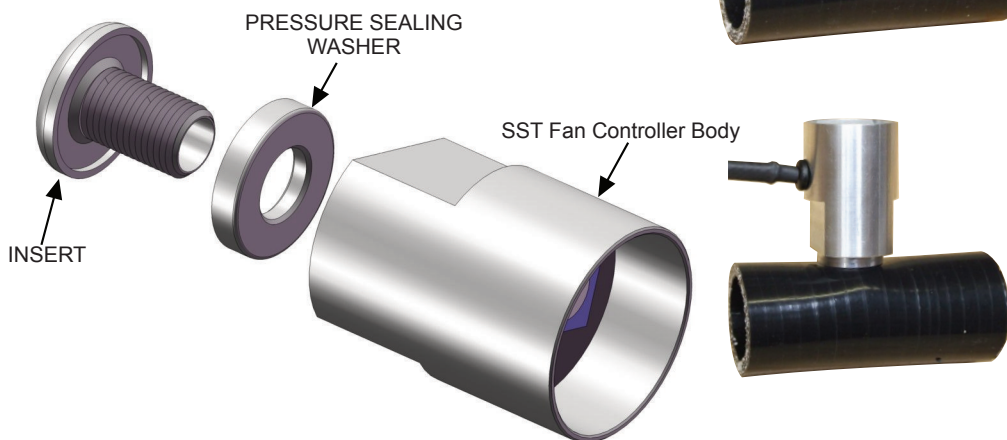
2. Place the hose on a flat surface, using a soft headed mallet, strike the cutting area with a firm straight blow. Carefully remove any excess material with a sharp knife.



3. Push the insert through the hole, check thread is clear of any waste material, place pressure sealing washer with lip towards the material and EFC SST body.



**NOTE: Some applications may require the use of PTFE tape to seal the threads**



# SELF SEALING FAN CONTROLLER FITTING INSTRUCTIONS

070002

## Cutting a hole in soft material e.g. Silicone, rubber

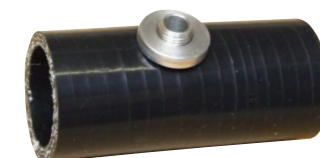
1. Place the sharp end of the cutter in position inside the hose, the hose needs to be taut over the cutting area, if the hose is not taut slide a tightly fitting piece of wood under the cutter.



2. Place the hose on a flat surface, using a soft headed mallet, strike the cutting area with a firm straight blow. Carefully remove any excess material with a sharp knife.



3. Push the insert through the hole, check thread is clear of any waste material, place pressure sealing washer with lip towards the material and tighten EFC SST Body.



**NOTE: Some applications may require the use of PTFE tape to seal the threads**

